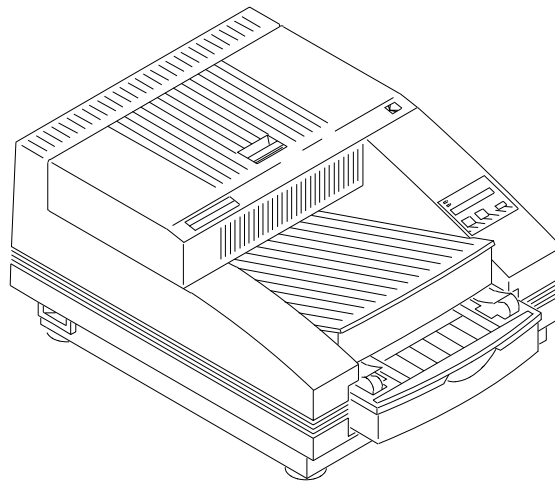


SITE SPECIFICATIONS
for the
Kodak Professional 8670 PS THERMAL PRINTER
Kodak PICTURE MAKER PS4 PRINTER
and the
Kodak Image Magic EI 8651 DIGITAL COLOR PRINTER



A087_2013AC



GLOBAL CUSTOMER SERVICE AND SUPPORT

PLEASE NOTE The information contained herein is based on the experience and knowledge relating to the subject matter gained by Eastman Kodak Company prior to publication.

No patent license is granted by this information.

Eastman Kodak Company reserves the right to change this information without notice, and makes no warranty, express or implied, with respect to this information. Kodak shall not be liable for any loss or damage, including consequential or special damages, resulting from any use of this information, even if loss or damage is caused by Kodak's negligence or other fault.



This equipment includes parts and assemblies sensitive to damage from electrostatic discharge. Use caution to prevent damage during all service procedures.

Table of Contents

Description	Page
Equipment Specifications	3
Dimensions/Weight	3
Accessories	3
Customer Supplies	3
Media	4
RECEIVER	4
DONOR	6
Capacity	6
Storage	6
Performance Specifications	6
User Interface	7
Site Specifications	9
Environment	9
Space Requirements	9
Power Requirements	9
Agency Approval	9

Section 1: Equipment Specifications

Dimensions/Weight

Width	Depth With TRAY Inserted	Height	Weight	Weight in Carton
43.2 cm (16.6 in.)	52.7 cm (21 in.)	30.5 cm (12 in.)	24.9 kg (57 lbs)	32.2 kg (71 lbs)

Accessories

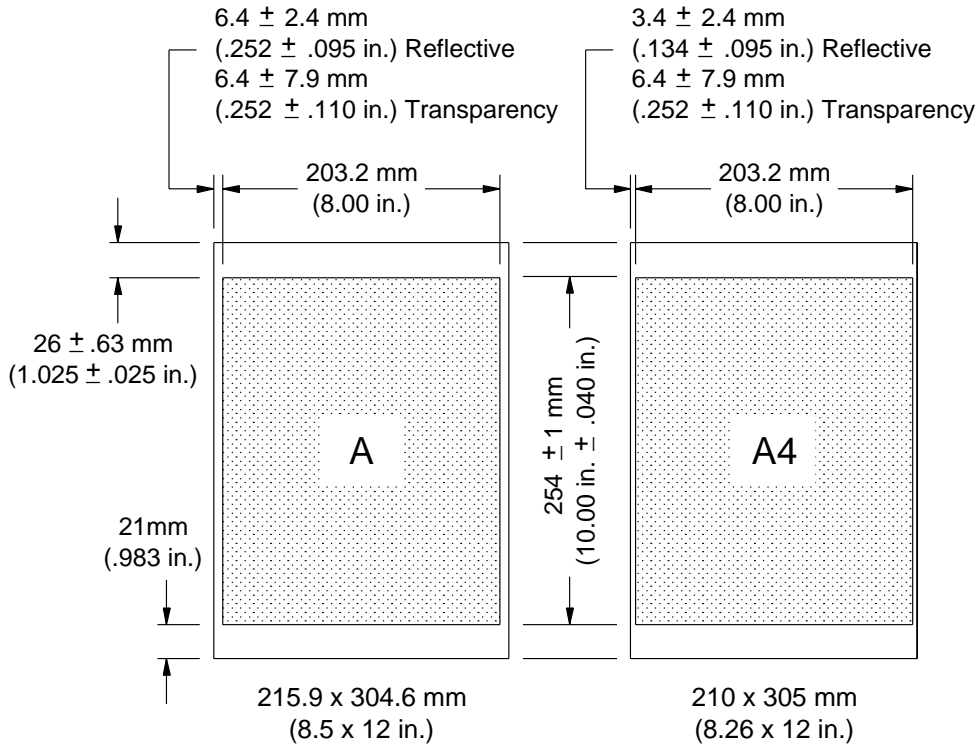
Item	Catalog No.	Part No.
A, 8.5 IN. ADJUSTABLE TRAY	843 5109	2H2680
A4, 8.27 IN. ADJUSTABLE TRAY	168 9702	2H2660
9.5 x 14 IN. TRAY	124 2684	2H2679
8.5 IN. TRAY*	133 1149	8B9559
NETWORK INTERFACE CARD - 8670 PS THERMAL PRINTER only	844 5074	2H2475

* PICTURE MAKER PS4 PRINTER only.

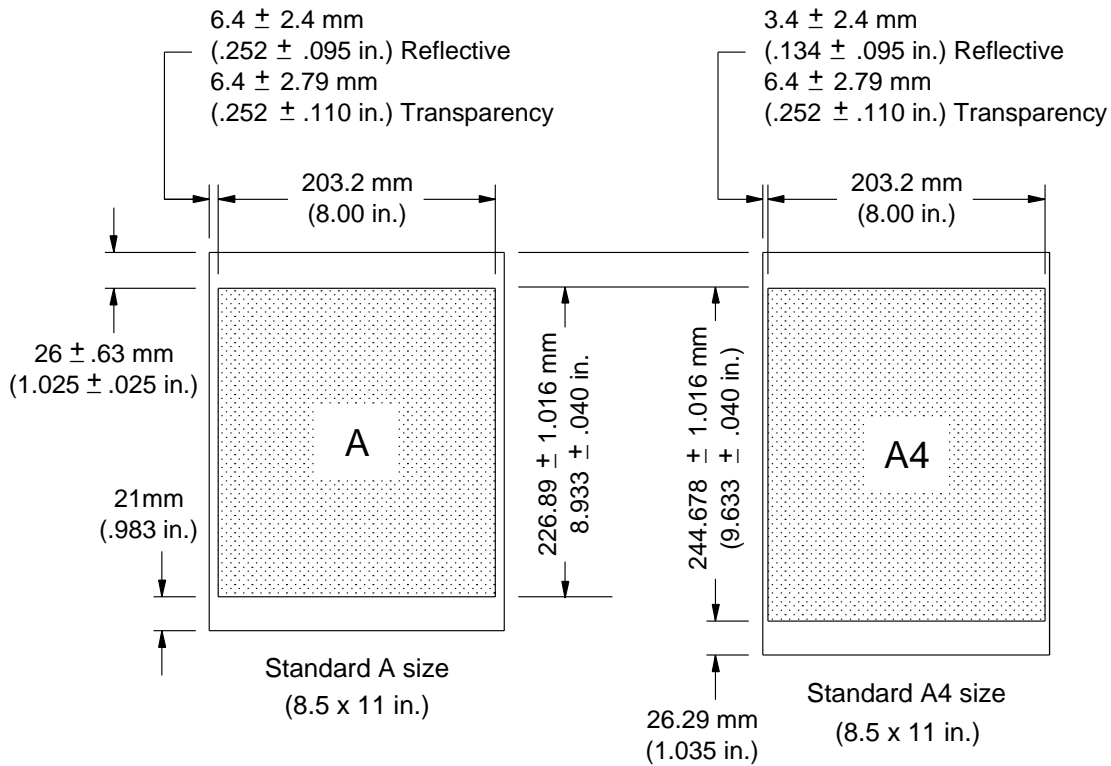
Customer Supplies

Item	Part No.
CLEANING KIT - includes 10 water/10 alcohol	1E4002
PICK ROLLER CLEANING KIT	5B5910
SHIPPING PINS	989021

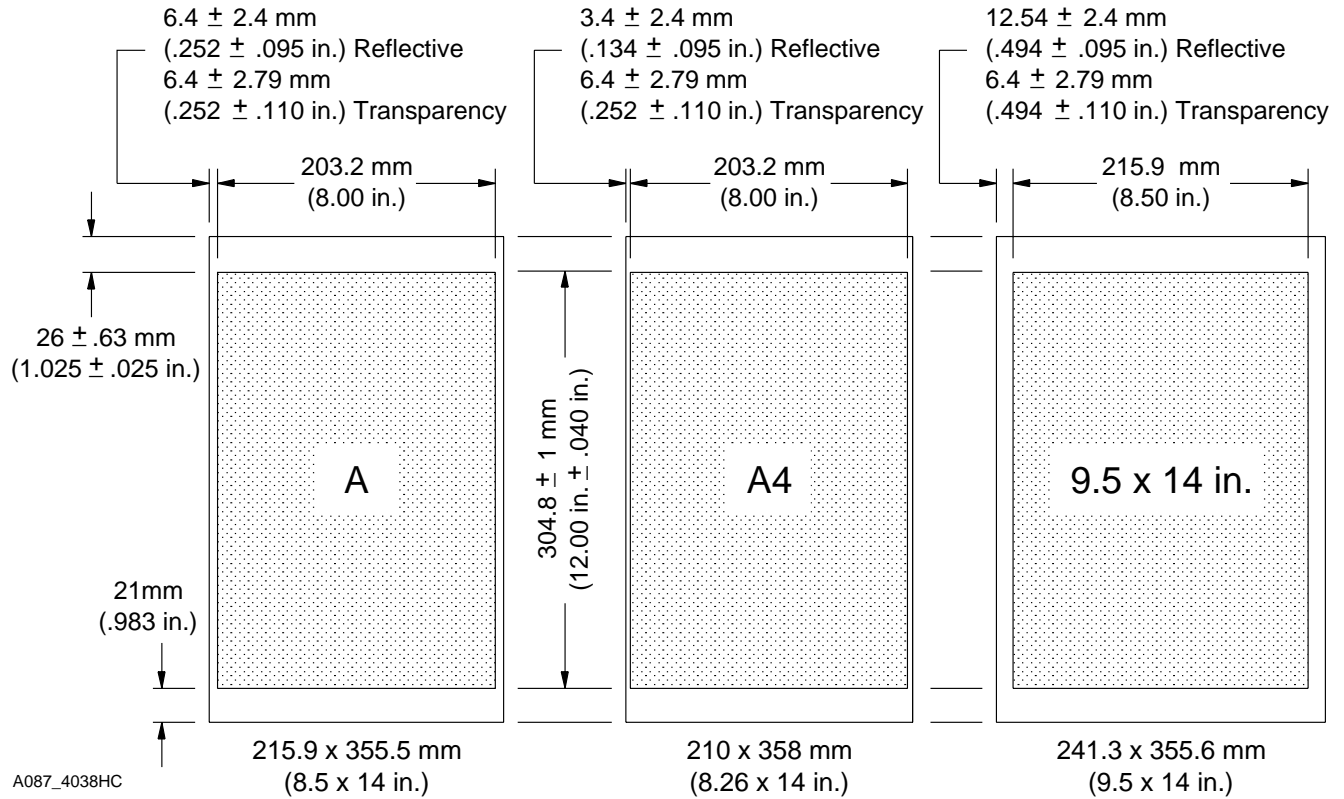
Media RECEIVER



A087_4039HC



A087_4040HC



Paper/TRANSPARENCY Size	8670 PS THERMAL PRINTER	EI 8651 DIGITAL COLOR PRINTER	PICTURE MAKER PS4 PRINTER
216 x 281 mm (8.5 x 11)	X	X	X
210 x 297 mm (8.27 x 11.69)	X	X	
216 x 307 mm (8.5 x 12)	X	X	X
210 x 307 mm (8.27 x 12)	X	X	
216 x 358 mm (8.5 x 14)	X	X	X
210 x 307 mm (8.27 x 14)	X	X	
241 x 358 mm (9.5 x 14)	X	X	

DONOR

RIBBON	Maximum Image Size	8670 PS THERMAL PRINTER	EI 8651 DIGITAL COLOR PRINTER	PICTURE MAKER PS4 PRINTER
<i>Kodak Professional Ektatherm XLS</i> THREE-COLOR RIBBON	8 x 10	X	X	
<i>Kodak Professional Ektatherm XLS</i> OVERSIZE THREE-COLOR RIBBON	8.5 x 12	X	X	
<i>Kodak Professional Ektatherm XLS</i> THREE-COLOR RIBBON/ <i>Xtralife</i> MEDIA/CMY	8 x 10	X	X	X
<i>Kodak Professional Ektatherm XLS Xtralife</i> BLACK RIBBON MEDIA	8.5 x 12	X	X	X
<i>Kodak Professional Ektatherm XLS</i> OVERSIZE THREE-COLOR RIBBON/ <i>Xtralife</i> MEDIA/CMY	8.5 x 12	X	X	X
<i>Kodak Professional Ektatherm XLS</i> FOUR-COLOR RIBBON/CMYK	8.5 x 12	X	X	

Capacity

DONOR	Prints Per Roll
YMC	100
YMC and laminate	100
Black	150
YMC long	100
YMC and laminate long	85
YMCK	85

Storage

Item	Temperature	Relative Humidity
Paper/TRANSPARENCY/RIBBON	< 24°C (< 77°F)	40 - 60%

 **Note**

Long time exposure to temperatures 38°C (110°F) is not recommended for paper and TRANSPARENCIES.

Performance Specifications

First print access	2.6 minutes maximum
Time from PRINTER initialization to operational status	2 minutes maximum
Print rate	54 prints/hour, 1.1 minutes/print

User Interface

Display	2 LEDs, 16 character LCD
Language	English, French, Spanish, German, Italian

 **Note**

Display for the PICTURE MAKER PS4 PRINTER is not visible.

Section 2: Site Specifications

Environment

Ambient operating temperature	15 - 30°C (59 - 86°F)
Relative humidity	20 to 76%
Operating sound level	< 55 dB maximum

Space Requirements

Equipment	Width	Depth	Height
With TRAY inserted	43.2 cm (17 in.)	61 cm (24 in.)	30.5 cm (12 in.)

Equipment	Width	Depth	Height
Removing TRAY and opening COVER	43.2 cm (17 in.)	90.2 cm (35.5 in.)	52.4 cm (20.25 in.)

Power Requirements

Voltage	Frequency	Power Consumption	Power Connection
90 - 132 V AC, or 175 - 264 V AC with no adjustment	47 - 60 Hz	<p>≈ 180 W during printing</p> <p>≈ 107 W during THERMAL HEAD pre-heat</p> <p>≈ 67 W in the "READY" or "STANDBY" modes</p>	198 cm (6.5 ft)

Agency Approval

Safety	EMI
UL 1950; CA 22.2 No. 950; TUV EN 60950	FCC Part 15; Subpart J; Class B; I CES-003; Class B; EN 500 81-1 EN 500 82-1; VCCI, Class 2; CE Mark

Kodak, Image Magic, and Professional are trademarks.

